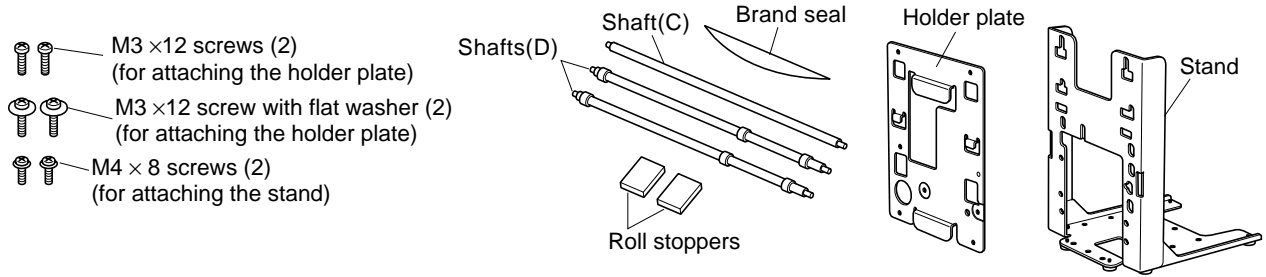


# Attaching the TSP700 vertical stand

**1. Unpacking :** Confirm that all accessories are included.



## 2. Attachment procedures :

**Note:** Ensure that power that is supplied to the printer and that all devices connected to the printer have been switched OFF and that the cables have been unplugged before starting the modification. If the AC adapter is connected to the printer, unplug it from the main socket.

The base for setting the stand should be within a range of  $\pm 2^\circ$  in reference to the horizontal direction.

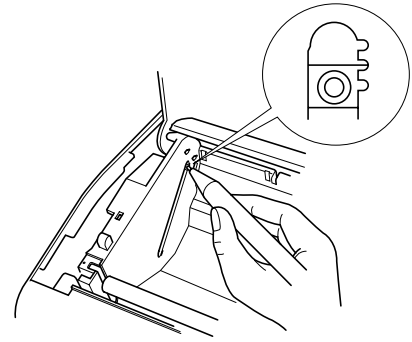


fig.1 Changing the position of the near end sensor

### 2-1. Changing the position of the near end sensor

Press the sensor hole with the tip of a pen or any other pointed-tip object and slide the Near End Sensor to the position shown in the figure. Check that the protrusion is securely fit into the groove.

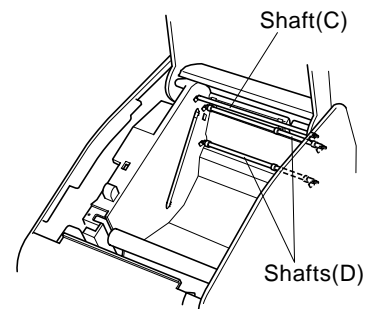


fig.2 Attaching the shafts

### 2-2. Attaching the shafts

Attach the three shafts to the printer.

### 2-3. Attaching the roll stoppers

Attach the two roll stoppers in the positions shown in the figure. Ensure that any dirt has been completely wiped away before attaching the stoppers.

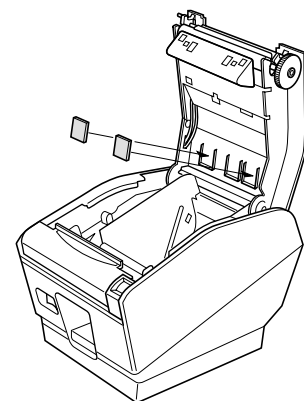


fig.3 Attaching the roll stoppers

### 2-4. Removing the tension bar unit

Use a regular screwdriver to remove the clips at both ends of the bar to remove the tension bar unit.

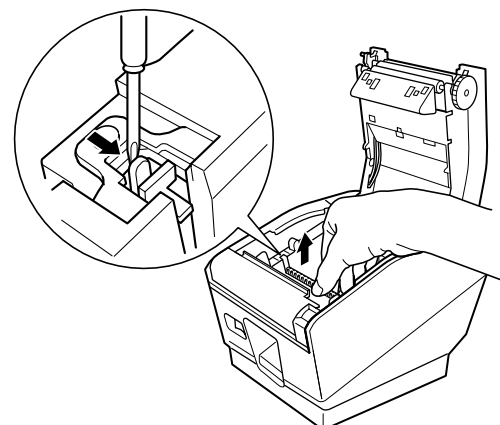


fig.4 Removing the tension bar unit

## 2-5. Attaching the brand seal

Place the brand seal that was supplied over the existing brand seal. (The characters on the operation panel will be inverted when the printer is attached to a wall or onto a stand.)

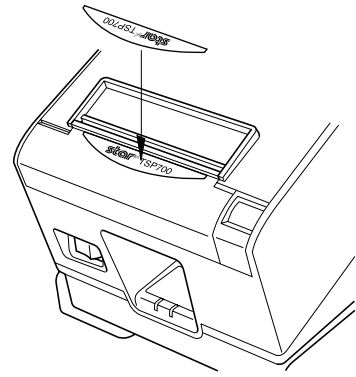


fig.5 Attaching the brand seal

## 2-6. Attaching the holder plate

- ① Remove the two screws from the printer as shown in the illustration.
- ② Attach the holding plate to the printer. Then tighten the four M3 screws that were supplied to secure it in place.

The screws fitted with flat washers are used where the screws were previously removed.

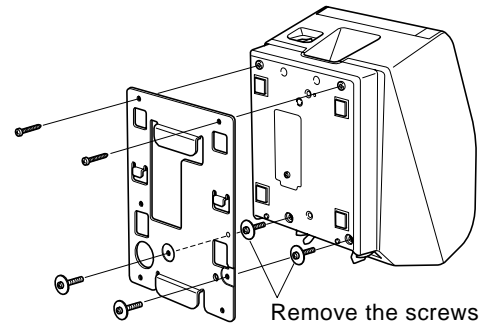


fig.6 Attaching the holder plate

## 2-7. Setting the printer on the stand

Insert the two hooks on the holding plate through the two holes on the stand. Three different positions are available for insertion. Select the position you require.

Once the hooks have been inserted into the holes, secure the printer on the stand using the two screws.

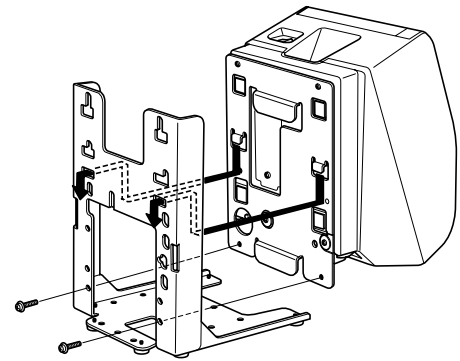


fig.7 Setting the printer on the stand

## 2-8. Setting the roll paper in place

- ① Push the cover open lever, and open the printer cover.
- ② Insert the roll paper as shown.

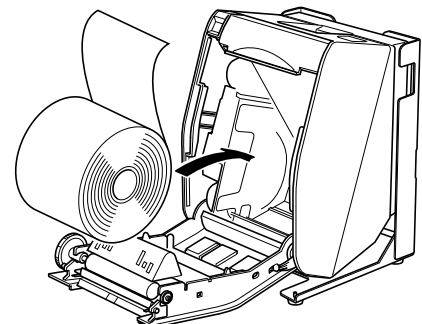


fig.8 Setting the roll paper in place