

Installing Splash-proof Cover

Application Note Number: 110

Introduction

This application note shows how to install the splash proof cover on your Star Micronics printer.

Supported Printers: TSP100, TSP100III, TSP650, TSP650II, TSP700II

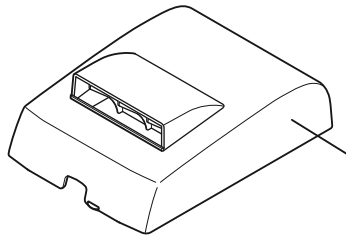
Supported Interfaces: ALL

Table of Contents

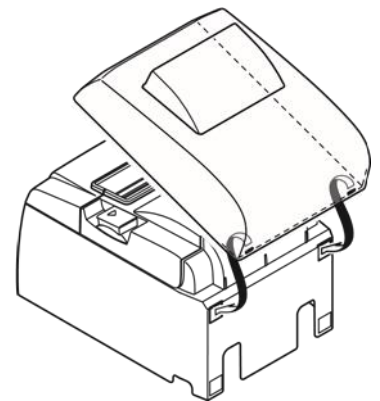
- I. [Installing a Star Printer Splash-proof Cover on a TSP100/650](#).....Page 1
- II. [Installing a Star Printer Splash-proof Cover on a TSP700](#).....Page 3

I. Installing a Star Printer Splash-proof Cover on a TSP100/TSP650

1) Unpacking: Check that all of the accessories are included.



Splash-proof Cover



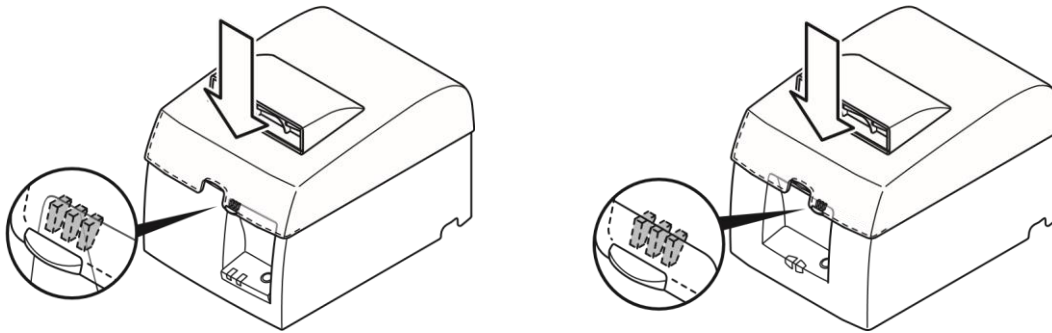
2) Mounting Procedures:

2-1 Mounting the Splash-proof Cover

- 1 Hang the claws on the inside-backside of the splash-proof cover in the grooves on the backside of the printer.

- 2 Press the front side of the splash-proof cover to attach it.

Note : Firmly press the claws on the inside of the front surface of the splash-proof cover until they are in the openings of the printer operation panel to ensure the fit.

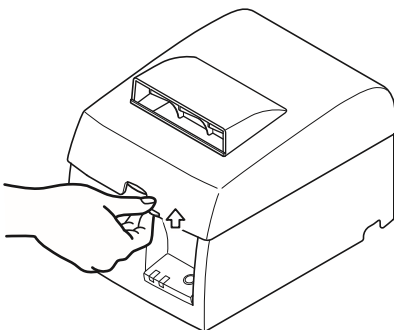


- 3 Lightly lift the leading edge of the splash-proof cover and check that there is no looseness in the splash-proof cover. If that can be confirmed, the mounting is complete.

Note : • Do not attempt to lift the printer by the splash-proof cover.

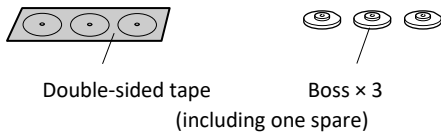
If you do, the cover can come loose, causing the printer to fall. That will damage the printer.

- The splash-proof cover does not fit when used on a vertical layout type.
- The splash-proof cover does not completely prevent moisture from getting inside the machine. If moisture gets inside, turn the power off and unplug the power plug from the AC outlet.

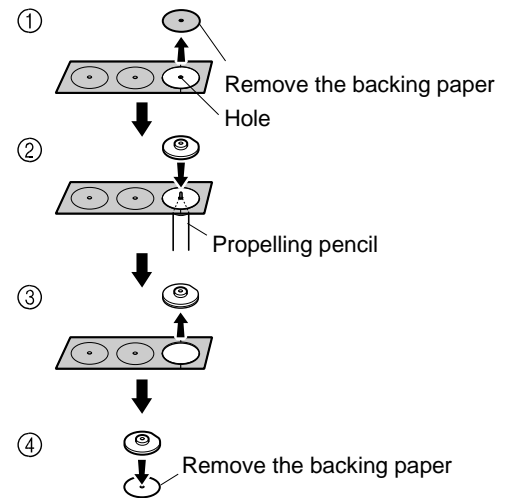
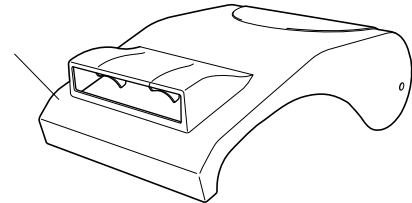


II. Installing a Star Printer Splash-proof Cover on a TSP700

1. Unpacking : Confirm that all accessories are included.



Splash proof cover



2. Attachment procedure :

2-1. Attaching the double-sided tape

1 Remove the backing paper from the upper surface of the tape (the printed side.).

2 Place the bosses on the double-sided tape so that its holes are aligned with the boss holes, and then attach the tape (it is recommended that the tip of a propelling pencil is used as a guide for aligning the center of the holes.).

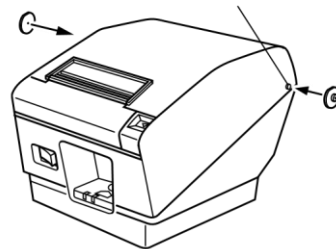
3 With the contact sheet stuck in place, remove the bosses from the double-sided tape.

4 Remove the backing paper from the underside of the tape.

2-2. Attaching the bosses

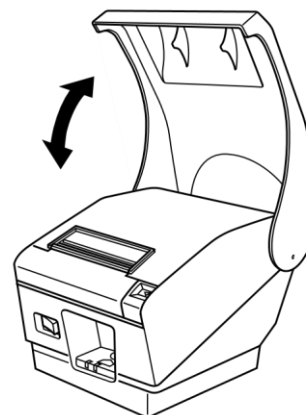
Align the two bosses with the protrusions on the left and right hand side of the printer cover and stick them in place.

Protrusion



2-3. Attaching the splash proof cover

- 1 Align the splash proof cover with the center of the boss holes to attach it
- 2 Check to ensure that the splash proof cover opens and closes smoothly.



80871220 SPC-T700



Star Micronics is a global leader in the manufacturing of small printers. We apply over 50 years of knowhow and innovation to provide elite printing solutions that are rich in stellar reliability and industry-respected features. Offering a diverse line of Thermal, Hybrid, Mobile, Kiosk and Impact Dot Matrix printers, we are obsessed with exceeding the demands of our valued customers every day.

We have a long history of implementations into Retail, Point of Sale, Hospitality, Restaurants and Kitchens, Kiosks and Digital Signage, Gaming and Lottery, ATMs, Ticketing, Labeling, Salons and Spas, Banking and Credit Unions, Medical, Law Enforcement, Payment Processing, and more!

High Quality POS Receipts, Interactive Coupons with Triggers, Logo Printing for Branding, Advanced Drivers for Windows, Mac and Linux, Complete SDK Packages, Android, iOS, Blackberry Printing Support, OPOS, JavaPOS, POS for .NET, Eco-Friendly Paper and Power Savings with Reporting Utility, ENERGY STAR, MSR Reading, *future*PRNT, StarPRNT... How can Star help you fulfill the needs of your application?

Don't just settle on hardware that won't work as hard as you do. Demand everything from your printer. Demand a Star!

Star Micronics Worldwide

Star Micronics Co., Ltd.
536 Nanatsushinya
Shimizu-ku, Shizuoka 424-0066
Japan
+81-54-347-2163
<http://www.star-m.jp/eng/index.htm>

Star Micronics America, Inc.
65 Clyde Road, Suite G
Somerset, NJ 08837
USA
1-800-782-7636
+1-848-216-3300
<http://www.starmicronics.com>

Star Micronics EMEA
Star House
Peregrine Business Park, Gomm Road
High Wycombe, Buckinghamshire HP13 7DL
UK
+44-(0)-1494-471111
<http://www.star-emea.com>

Star Micronics Southeast Asia Co., Ltd.
Room 2902C, 29th Fl. United Center Bldg.
323 Silom Road, Silom Bangrak, Bangkok 10500
Thailand
+66-2-631-1161 x 2
<http://www.starmicronics.co.th/>